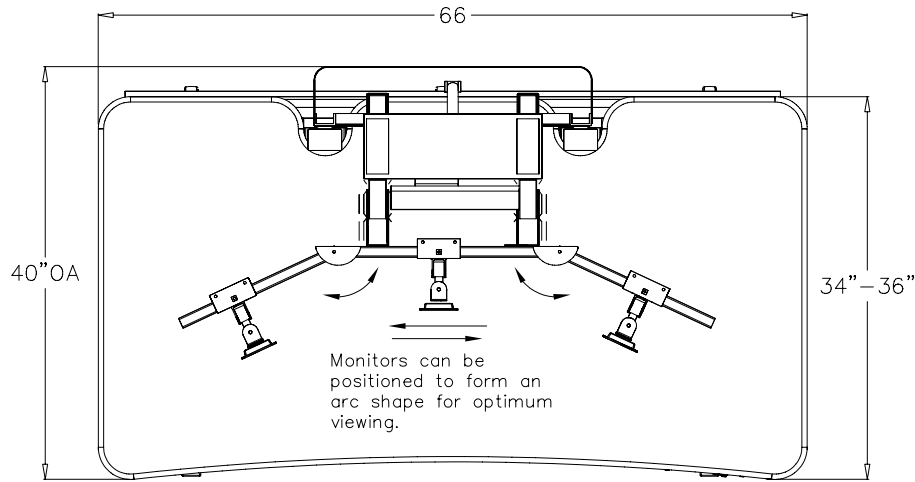
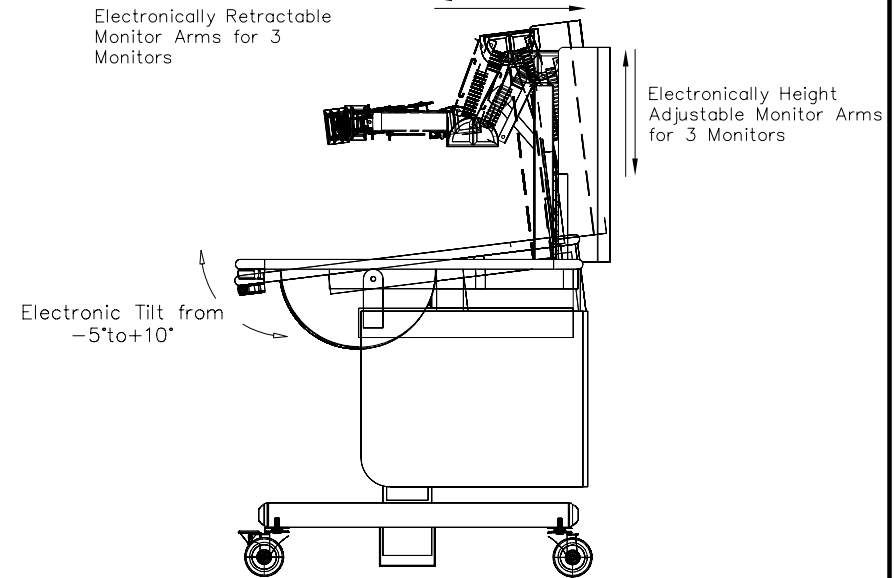


TOP VIEW

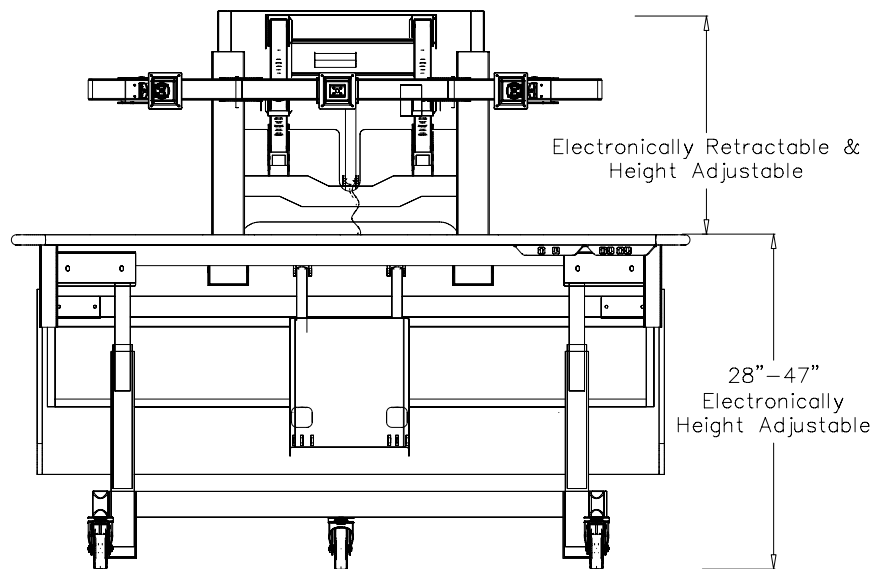


Bumper Molding Edge finish with soft ergo Cutout.

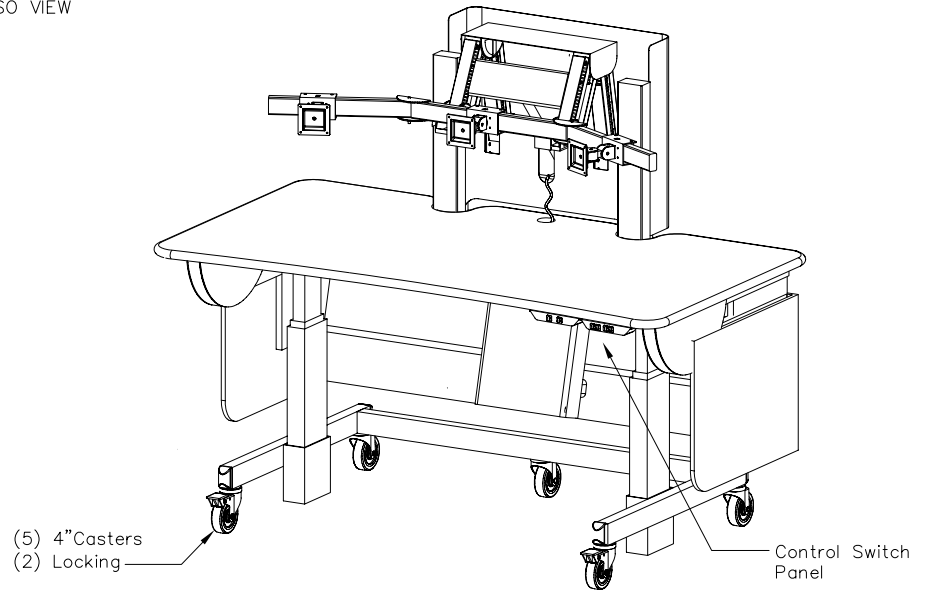
SIDE VIEW



FRONT VIEW



ISO VIEW



NOTES :

MATERIAL :  
AS NOTED ABOVE

TOLERANCES UNLESS OTHERWISE SPECIFIED  
FRACTIONAL ±1/64  
2 PLC. DEC. ±.01  
3PLC. DEC. ±.001  
ANGULAR ±.5°  
FINISH 32/

DRAWN BY : V.G.M

DATE: 11/17/05

DELUXE ERGOTIER

A P P R O V E D

ENG :

MFG :

QA :

SCALE : N.T.S.

SHEET : 1 OF 1

USED ON :

PATH :  
Maxflex\ET\DXET\

PDF NAME:  
DXET\_6640\_01

REV: SIZE  
A